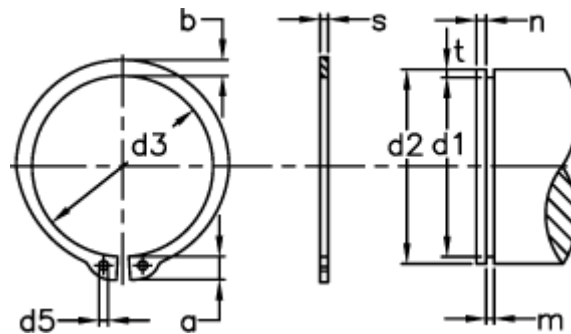


Data Sheet



Article number: 0109032
 Description: Retaining ring AS 16x1.5
 Spring steel
 Note: Fitted with ZGA pliers

Measures



| | | | | | |
|--------------------|--------|---------------|---------|----------------|---------------|
| a max | = 5.0 | Description | = AS 16 | s | = 1.50 |
| AN mm ² | = 19.6 | FN kN | = 3.26 | t | = 0.40 |
| B | = 2.25 | FRg kN | = 4.5 | tol | = -0.11 |
| b | = 2.5 | FR kN | = 16.7 | tol | = -0.06 |
| d1 | = 15.2 | g | = 1.0 | tol | = +0,10 -0,36 |
| d2 | = 16 | m min | = 1.60 | Tong | = ZGA-1 |
| d3 | = 14.7 | n abl x 1000 | = 48 | Weight kg/1000 | = 1.20 |
| d5 min | = 2.0 | Nominal drive | = 1.2 | | |